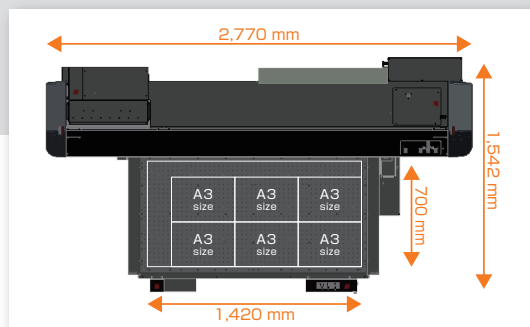


A mid-size UV-LED printer designed for ease-of-use and efficiency



Print six A3 sheets in about 15 minutes on a 1,420 mm × 700 mm printing area

The unit size of this model is 2,770 mm × 1,542 mm, approximately the same as that of two UV printers designed for A2-size printing. The printing area (1,420 mm × 700 mm), sized for comfortable operator reach, allows up to six A3 sheets to be set at once. In Production mode, a full-size print can be completed in about 15 minutes, offering excellent productivity per unit of installation area.

Production print mode: 720x1080/12P/BiD

Full-size print time	15.37 min
Max.6 A3-sheets print	2.56 min/sheet
Max.12 A4-sheets print	1.28 min/sheet

Two UV-LED lamps, optimized for bidirectional printing

UV-LED lamps are placed on both sides of the print head, achieving high productivity through optimally curing ink for bidirectional printing.



DTO printing on materials up to 150 mm tall

Equipped with a laser sensor that automatically detects media thickness up to 150 mm.



Nozzle check print possible even with the jig attached to the table

Even after the jig and media are set on the table, a nozzle check print can be performed at any time in a dedicated area next to the print table.

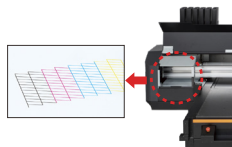
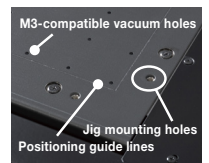


Table for easy media setting

In addition to the jig mounting holes on the table, magnets can be used, and the vacuum holes are compatible with M3 screws, making media setting easy.



Print speed

■ 6 colors (C, M, Y, K, White, Clear)

Print speeds are the same for single layer printing and 2-layer printing.

Draft (360x1080/6P/BiD)	7.75 m² /h
High Speed (720x720/8P/BiD)	5.80 m² /h
Production (720x1080/12P/BiD)	3.88 m² /h
Quality (720x1440/16P/BiD)	2.92 m² /h
Build Up (1440x1440/32P/BiD)	1.46 m² /h

Sustainable inks that consider workers' health and the safety of printed products

US61 and UH71 inks are compliant with the EU REACH regulations and don't contain SVHC or substances classified as CMR category 1A or 1B.

US61 soft ink

- Excellent acrylic adhesion
- Excellent elongation and abrasion resistance
- Compatible with a variety of media
- High-opacity white printing
- UL GREENGUARD Gold certified

UH71 hard ink

- Excellent durability (a hard, durable finish; abrasion resistant)
- High chemical resistance
- Low odor
- UL GREENGUARD Gold certified



Interior signage (aluminum composite)



Synthetic leather *made with US61



Borderless acrylic keychains



Textured canvas art (Build Up printing)

XpertJet 1462UF



Printable size
1420mm×700mm



Media thickness
Max. 150mm



CMYK
White, Clear
(Varnish)

■ Main Specifications

Print head	Print method	On-demand piezo drive system
	Height adjustment	Automatic adjustment
	Number	2 (staggered)
Media	Usable size (W×D)	Maximum: 1,420 mm × 700 mm
	Maximum thickness	150 mm or less
	Weight	50 kg/m ² or less
Maximum printable size (W×D)		1,420 mm × 700 mm
Ink	Type	UV-LED ink UH71, US61
	Color	6 colors (Cyan, Magenta, Yellow, Black, White, Clear(Varnish))
	Capacity	800 ml ink bag
Interface		Gb-Ethernet (1000BASE-T)
Power supply		Voltage: AC 100–120 V ±10 % / AC 200–240 V ±10 % Frequency: 50/60 Hz ±1 Hz
Print environment	Printer operation	Temperature: 20–32 °C Humidity: 40–60 % no condensation
	Accuracy guaranteed	Temperature: 22–30 °C Humidity: 40–60 % no condensation
Power consumption		Operation: 1,030 W or less, Ready to print: 72.0 W or less, Sleep mode: 44.0 W or less
Dimensions (W×D×H)		2,770 mm × 1,542 mm × 1,569 mm (Gantry in the rear position, with ink pack installed)
Weight		500 kg
RIP software		Genuine RIP software VerteLith

*Specifications are subject to change without notice.

*Ink adhesion will vary depending on media type and brand. Please test in advance to confirm.

*White ink settles, so please refer to the operation manual and be sure to shake the ink bags gently before use.

■ Optional items

Product name	Model	Details
High capacity ink pack adapter for UV curable ink	VJ-HCIPADPT-UV6	6 pieces
Ionizer	IJ-IONZ-01	
VerteLith	IJ-RIP-01	Genuine RIP software

■ Supplied items

Product name	Model	Details
UH71 ink (hard type)	UH71-CY800U	Cyan
	UH71-MA800U	Magenta
	UH71-YE800U	Yellow
	UH71-BK800U	Black
	UH71-WH800U	White
US61 ink (soft type)	UH71-VA800U	Clear (Varnish)
	US61-CY800	Cyan
	US61-MA800	Magenta
	US61-YE800	Yellow
	US61-BK800	Black
	US61-WH800	White
	US61-VA800	Clear (Varnish)
Cleaner	UH22-CL220U	220 ml cartridge
Maintenance cleaner	VJ-ULVA1-ML500U	500 ml bottle
Cleaning stick	RH2 clean stick	100 pieces
VJ adapter plug	VJ-HCIPAR	20 pieces
Dropper	DROPPER 6 PACK SET	6 pieces
Rail cleaner kit	IJ-RLCLNK-01	1 set
Replaceable wiper set	IJ-WIP-03	2 pieces
UV-LED lamp glass plate	IJ-UVGLS-03	1 piece
UV-LED lamp filter	IJ-UVFLT-03	10 pieces
Flushing absorbent	IJ-FLABS-03	3 pieces
UV protective glasses	IJ-UVPG-01	1 piece
Fan filter	IJ-EFFLT-02	6 pieces
Ionizer electrode needle	IJ-IOEN-01	4 pieces
Ionizer cleaning kit	IJ-IOCLK-01	1 set
Filter for cleaning kit	IJ-FCLK-01	10 pieces

For more details, please visit the MUTOH Webpage.



NOTE!

- Listed company and product names are trademarks or registered trademarks of the respective companies.
- Some of the images and samples in this catalog are composite images.
- Product specifications and product appearance are subject to change without notice for improvement reasons.
- Product specifications and product appearance listed in this catalog are current as of May 2026.
- Inkjet printers print at extremely high-resolution dot sizes, so colors may vary slightly after replacing the print head. Also, if you are using multiple printers, please note that colors may vary between each printer.
- This product cannot print on all media. We recommend that you perform testing before selecting the media.

MUTOH
MUTOH INDUSTRIES LTD.

www.mutoh.co.jp/en/



For purchase
inquiries

